

AECOM
AECOM House, 63-77 Victoria Street,
St. Albans, Hertfordshire, AL1 3ER
+44(0)1727 535000 tel
+44(0)1727 535099 fax
www.aecom.com

1. ALL DIMENSIONS ARE IN METRES UNLESS NOTED OTHERWISE
2. ALL JUNCTION LAYOUTS AREA INDICATIVE
3. THIS DRAWING IS BASED ON ORDNANCE SURVEY MASTERMAP MAPPING, AND AS SUCH, ALL INFORMATION SHOWN IS APPROXIMATE ONLY.
4. ALL ROAD WIDTHS SHOWN, AS WELL AS POSITIONS OF EXISTING STREET FURNITURE, ARE APPROXIMATE ONLY.
5. VEHICLE TRACKING SHOWN IS INDICATIVE ONLY, AND REPRESENTS ASSUMED DELIVERY ROUTE(S) AND APPROXIMATE VEHICLE SIZE. SPECIFIC VEHICLE TO BE DETERMINED BY EQUIPMENT SUPPLIER / HAULIER.
6. DEFINITIVE VEHICLE TRACKING OF SPECIFIC DELIVERY VEHICLE TO BE CARRIED OUT BY HAULIER, TO ENSURE DESIRED MANOEUVRES ARE ACHIEVABLE, AND TO CONFIRM ANY REQUIRED ROAD WIDENING, TEMPORARY WORKS, etc.
7. ORDER LIMITS ARE TO THE OUTER EDGE OF THE RED LINE, WHICH IS AS PER PUBLISHED IN THE DCO DOCUMENTATION.

- INDICATIVE JUNCTION LAYOUT
- VEGETATION REMOVAL REQUIRED
- TEMPORARY TRAFFIC SIGNALS
- ACHIEVABLE SITE ACCESS VISIBILITY

TO PROVIDE SAFE ENTRY AND EGRESS OF THE SITE ACCESSES, TEMPORARY TRAFFIC SIGNALS AND TEMPORARY SPEED LIMIT REDUCTIONS ARE PROPOSED WHILST THE SITE ACCESS IS IN USE DURING THE CONSTRUCTION PERIOD. THESE ARE SHOWN ON SHEET NUMBER 60589004-TRM-TM-010 IN THE TRAFFIC REGULATION MEASURES PLAN TEMPORARY MEASURES.

I/R	DATE	DESCRIPTION
B	2022-11-28	MINOR UPDATE DEADLINE 3A
A	2022-11-11	FIRST ISSUE

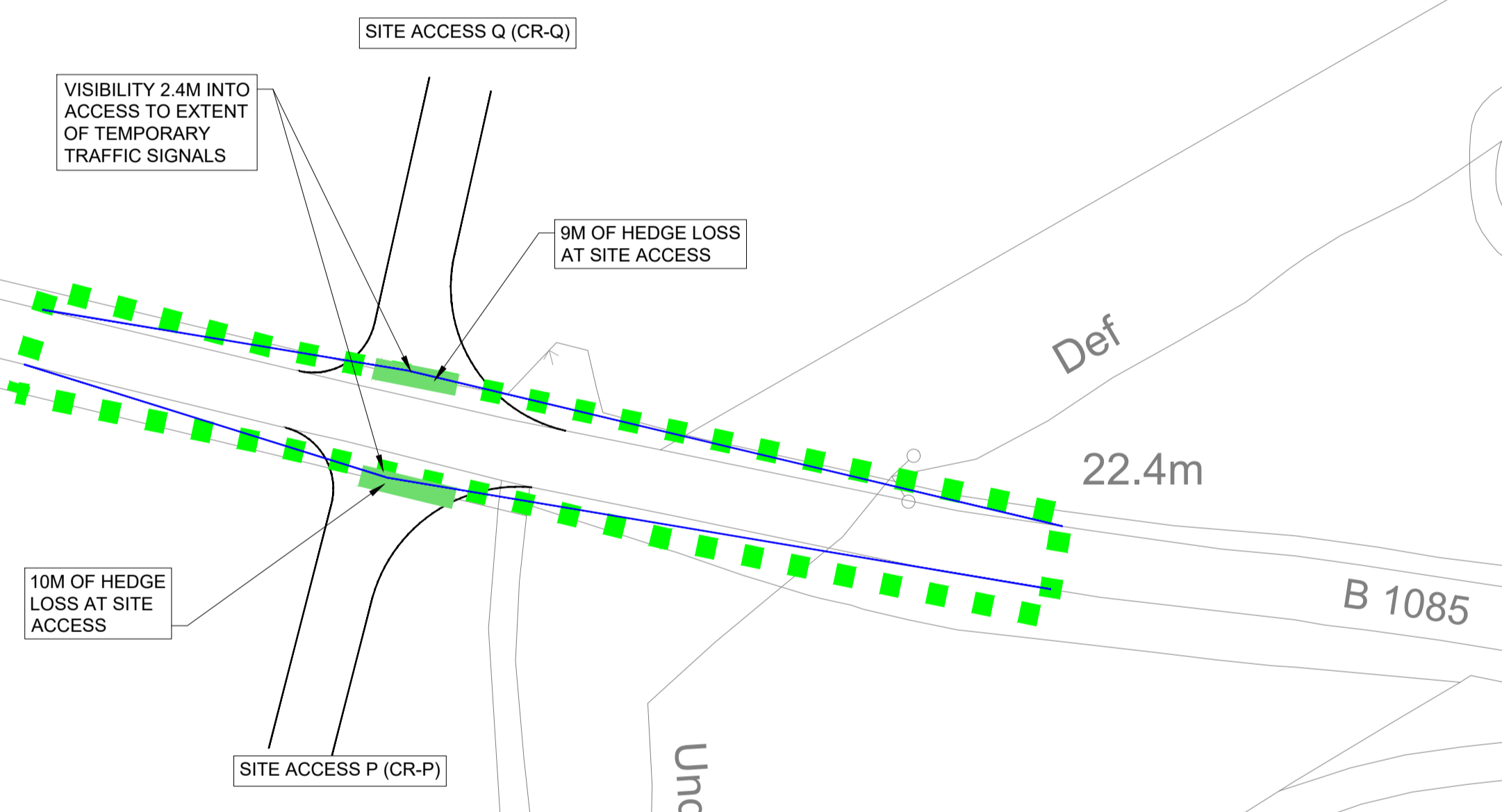


60589004

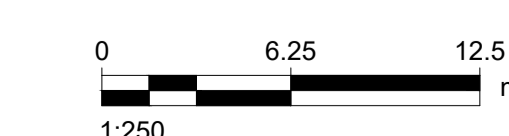
CABLE ROUTE (CR-P) & (CR-Q)
SITE ACCESS P & Q, B1085
TEMPORARY TRAFFIC SIGNALS
AND VISIBILITY

ACM-60589004-AMR-DR-0042

CABLE ROUTE SITE ACCESS P



SUMMARY OF USE
THE ACCESS LOCATIONS ACROSS GRID CONNECTION ROUTES A AND B WILL BE RE-INSTATED TO THEIR CONDITION PRIOR TO THE CONSTRUCTION PHASE; HOWEVER, THE RIGHTS TO UTILISE THESE ACCESS POINTS WILL BE RETAINED DURING OPERATION AND SECURED THROUGH THE DCO TO ALLOW ACCESS FOR MAINTENANCE, IF REQUIRED. ACCESS TO THE GRID CONNECTION ROUTES A AND B IS NOT REQUIRED DURING DECOMMISSIONING AS THE CABLE AND INFRASTRUCTURE WILL REMAIN IN-SITU.



1. ALL DIMENSIONS ARE IN METRES UNLESS NOTED OTHERWISE
2. ALL JUNCTION LAYOUTS AREA INDICATIVE
3. THIS DRAWING IS BASED ON ORDNANCE SURVEY MASTERMAP MAPPING, AND AS SUCH, ALL INFORMATION SHOWN IS APPROXIMATE ONLY.
4. ALL ROAD WIDTHS SHOWN, AS WELL AS POSITIONS OF EXISTING STREET FURNITURE, ARE APPROXIMATE ONLY.
5. VEHICLE TRACKING SHOWN IS INDICATIVE ONLY, AND REPRESENTS ASSUMED DELIVERY ROUTE(S) AND APPROXIMATE VEHICLE SIZE. SPECIFIC VEHICLE TO BE DETERMINED BY EQUIPMENT SUPPLIER / HAULIER.
6. DEFINITIVE VEHICLE TRACKING OF SPECIFIC DELIVERY VEHICLE TO BE CARRIED OUT BY HAULIER, TO ENSURE DESIRED MANOEUVRES ARE ACHIEVABLE, AND TO CONFIRM ANY REQUIRED ROAD WIDENING, TEMPORARY WORKS, etc.
7. ORDER LIMITS ARE TO THE OUTER EDGE OF THE RED LINE, WHICH IS AS PER PUBLISHED IN THE DCO DOCUMENTATION.

ORDER LIMITS

INDICATIVE JUNCTION LAYOUT

TO PROVIDE SAFE ENTRY AND EGRESS OF THE SITE ACCESSES, TEMPORARY TRAFFIC SIGNALS ARE PROPOSED WHILST THE SITE ACCESSES ARE IN USE DURING THE CONSTRUCTION PERIOD. THESE ARE SHOWN ON SHEET NUMBER 60589004-TRM-TM-014 IN THE TRAFFIC REGULATION MEASURES PLAN TEMPORARY MEASURES.

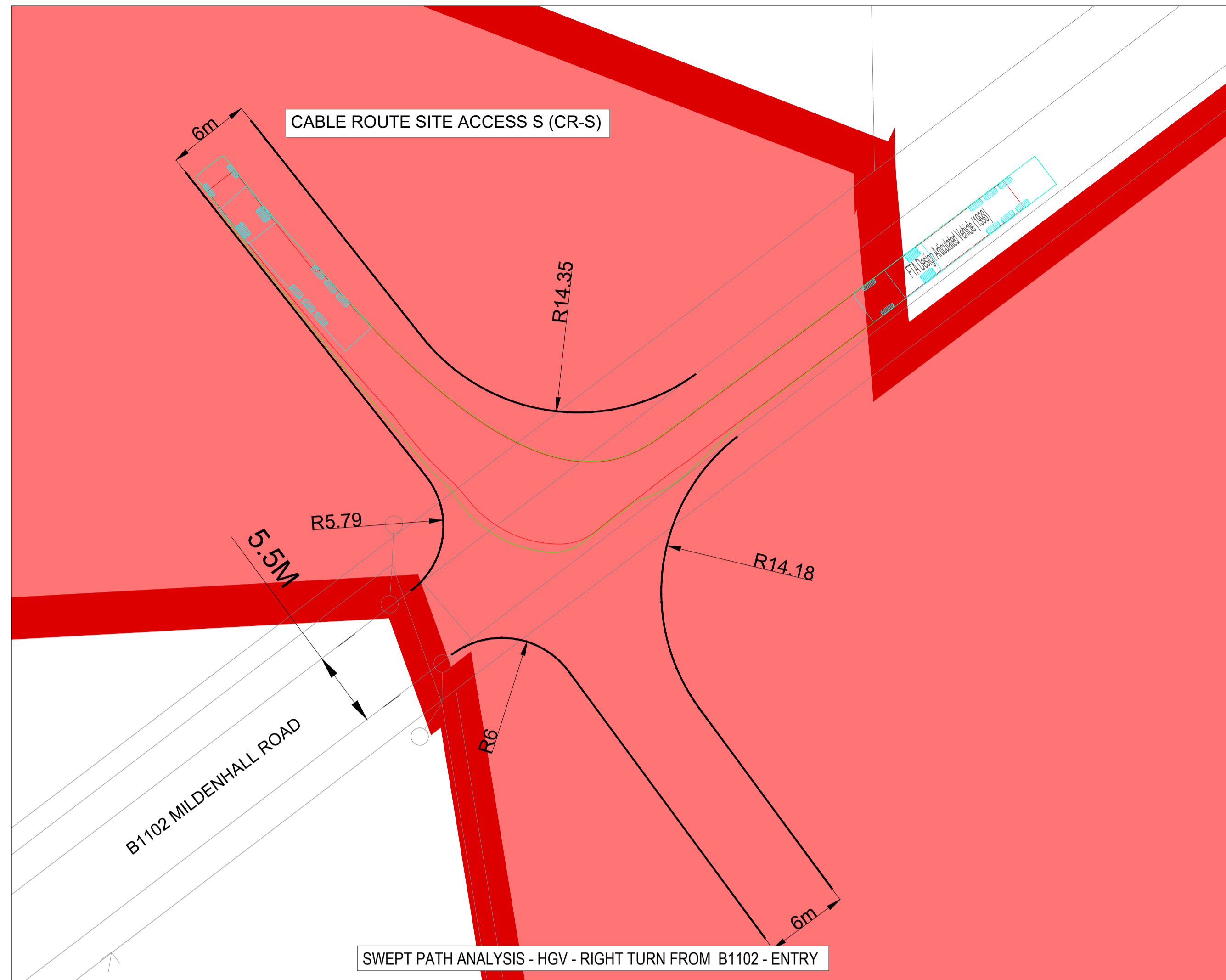
I/R	DATE	DESCRIPTION
C	2022-11-28	MINOR UPDATE DEADLINE 3A
B	2022-11-11	SECOND ISSUE
A	2022-09-23	FIRST ISSUE



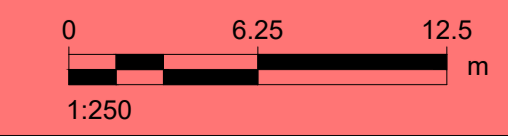
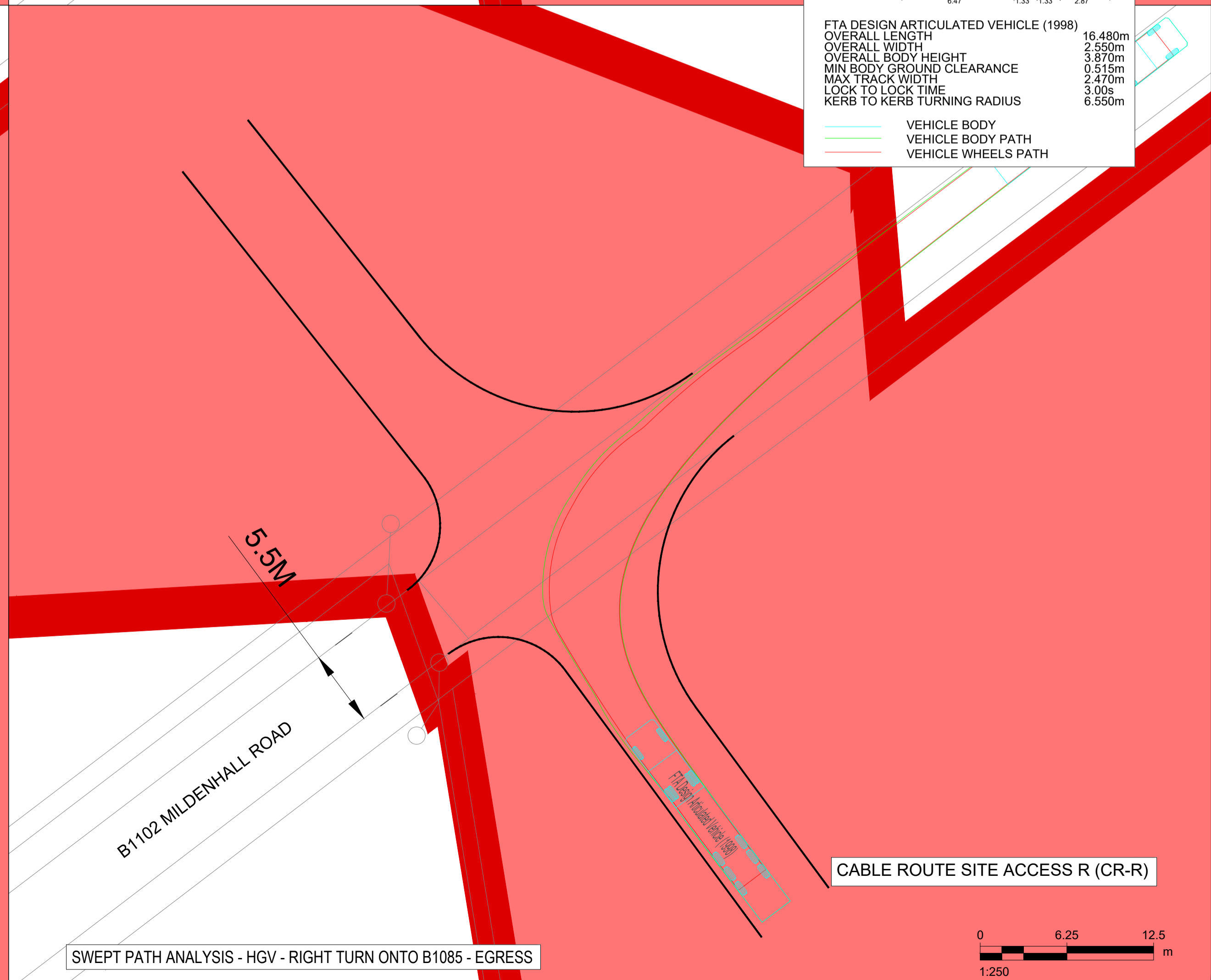
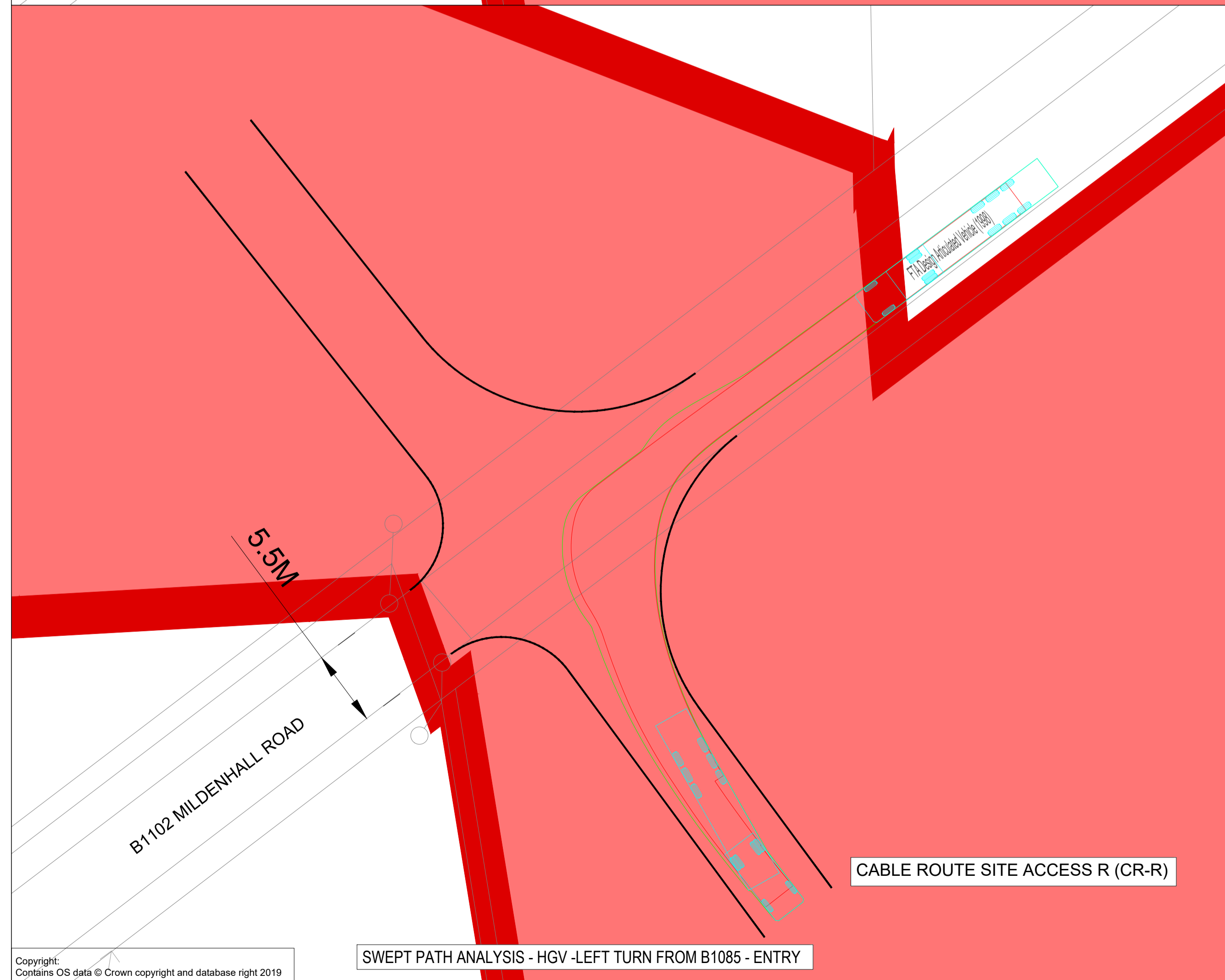
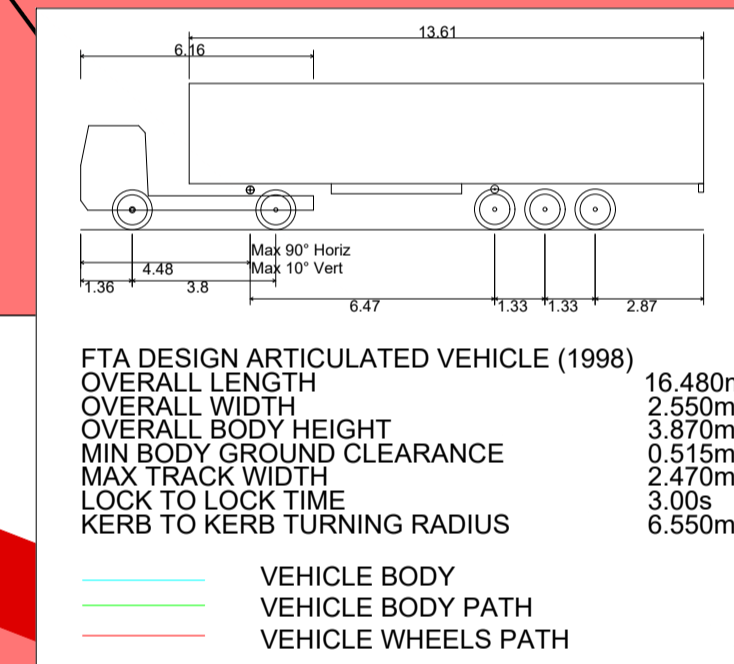
60589004

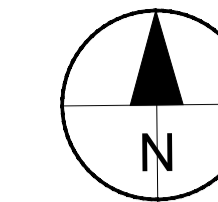
CABLE ROUTE (CR-R) & (CR-S)
SITE ACCESS R & S
B1102 MILDENHALL ROAD

ACM-60589004-AMR-DR-0043



SUMMARY OF USE
THE ACCESS LOCATIONS ACROSS GRID CONNECTION ROUTES A AND B WILL BE RE-INSTATED TO THEIR CONDITION PRIOR TO THE CONSTRUCTION PHASE. HOWEVER, THE RIGHTS TO UTILISE THESE ACCESS POINTS WILL BE RETAINED DURING OPERATION AND SECURED THROUGH THE DCO TO ALLOW ACCESS FOR MAINTENANCE, IF REQUIRED. ACCESS TO THE GRID CONNECTION ROUTES A AND B IS NOT REQUIRED DURING DECOMMISSIONING AS THE CABLE AND INFRASTRUCTURE WILL REMAIN IN-SITU.





AECOM
AECOM House, 63-77 Victoria Street,
St. Albans, Hertfordshire, AL1 3ER
+44(0)1727 535000 tel
+44(0)1727 535099 fax
www.aecom.com

NOTE

1. ALL DIMENSIONS ARE IN METRES UNLESS NOTED OTHERWISE
2. ALL JUNCTION LAYOUTS AREA INDICATIVE
3. THIS DRAWING IS BASED ON ORDNANCE SURVEY MASTERMAP MAPPING, AND AS SUCH, ALL INFORMATION SHOWN IS APPROXIMATE ONLY.
4. ALL ROAD WIDTHS SHOWN, AS WELL AS POSITIONS OF EXISTING STREET FURNITURE, ARE APPROXIMATE ONLY.
5. VEHICLE TRACKING SHOWN IS INDICATIVE ONLY, AND REPRESENTS ASSUMED DELIVERY ROUTE(S) AND APPROXIMATE VEHICLE SIZE. SPECIFIC VEHICLE TO BE DETERMINED BY EQUIPMENT SUPPLIER / HAULIER.
6. DEFINITIVE VEHICLE TRACKING OF SPECIFIC DELIVERY VEHICLE TO BE CARRIED OUT BY HAULIER, TO ENSURE DESIRED MANOEUVRES ARE ACHIEVABLE, AND TO CONFIRM ANY REQUIRED ROAD WIDENING, TEMPORARY WORKS, etc.
7. ORDER LIMITS ARE TO THE OUTER EDGE OF THE RED LINE, WHICH IS AS PER PUBLISHED IN THE DCO DOCUMENTATION.

KEY

- INDICATIVE JUNCTION LAYOUT
- VEGETATION REMOVAL REQUIRED
- TEMPORARY TRAFFIC SIGNALS
- ACHIEVABLE SITE ACCESS VISIBILITY

TRAFFIC REGULATION MEASURES

TO PROVIDE SAFE ENTRY AND EGRESS OF THE SITE ACCESSES, TEMPORARY TRAFFIC SIGNALS ARE PROPOSED WHILST THE SITE ACCESSES ARE IN USE DURING THE CONSTRUCTION PERIOD. THESE ARE SHOWN ON SHEET NUMBER 60589004-TRM-TM-014 IN THE TRAFFIC REGULATION MEASURES PLAN TEMPORARY MEASURES.

ISSUE/REVISION

I/R	DATE	DESCRIPTION
B	2022-11-28	MINOR UPDATE DEADLINE 3A
A	2022-11-11	FIRST ISSUE

KEY PLAN



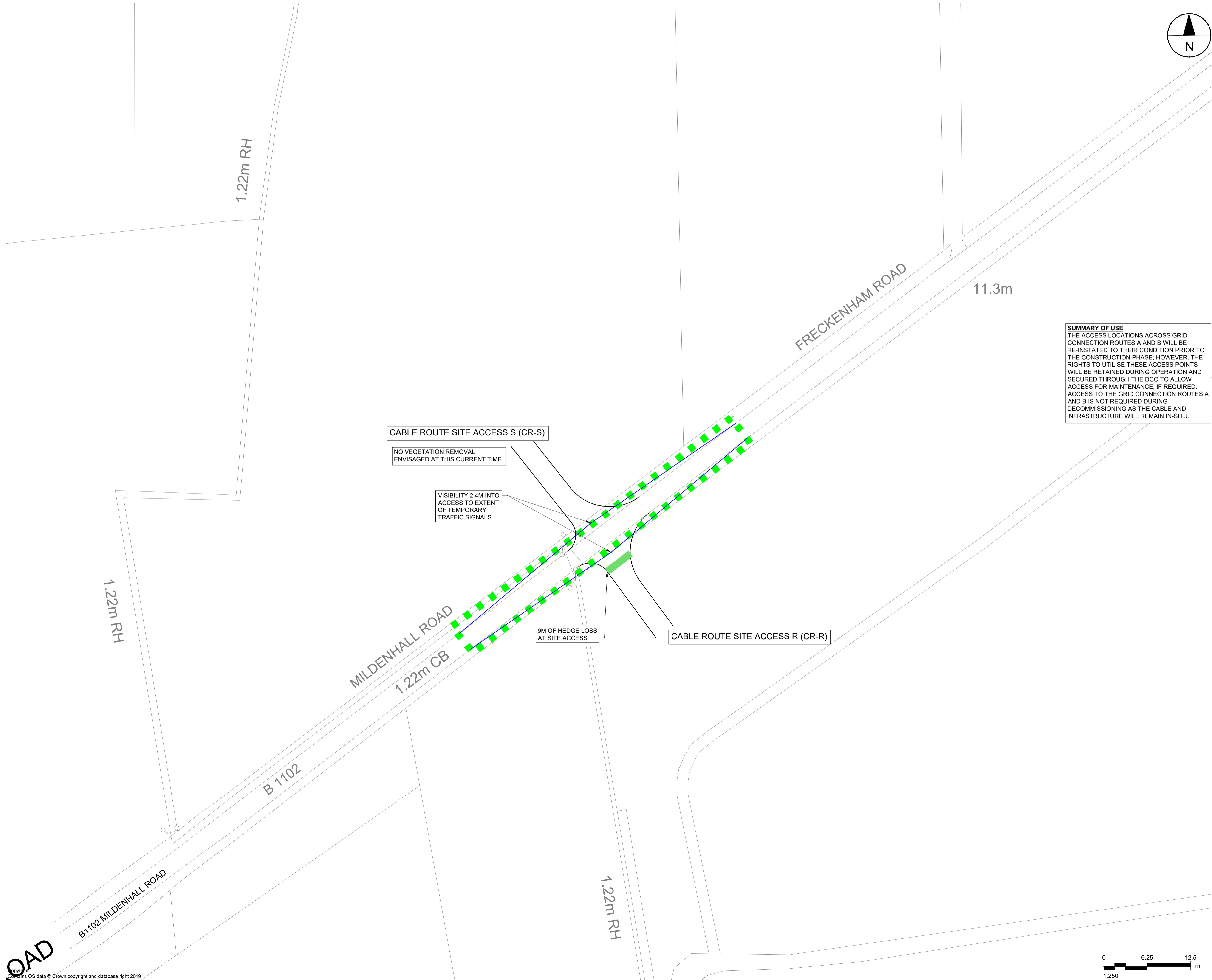
PROJECT NUMBER

60589004

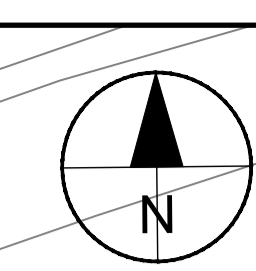
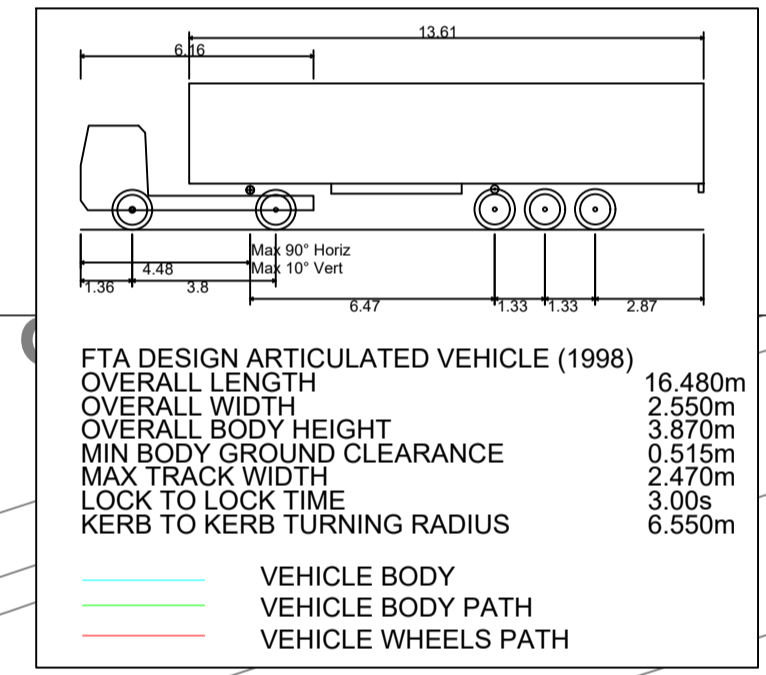
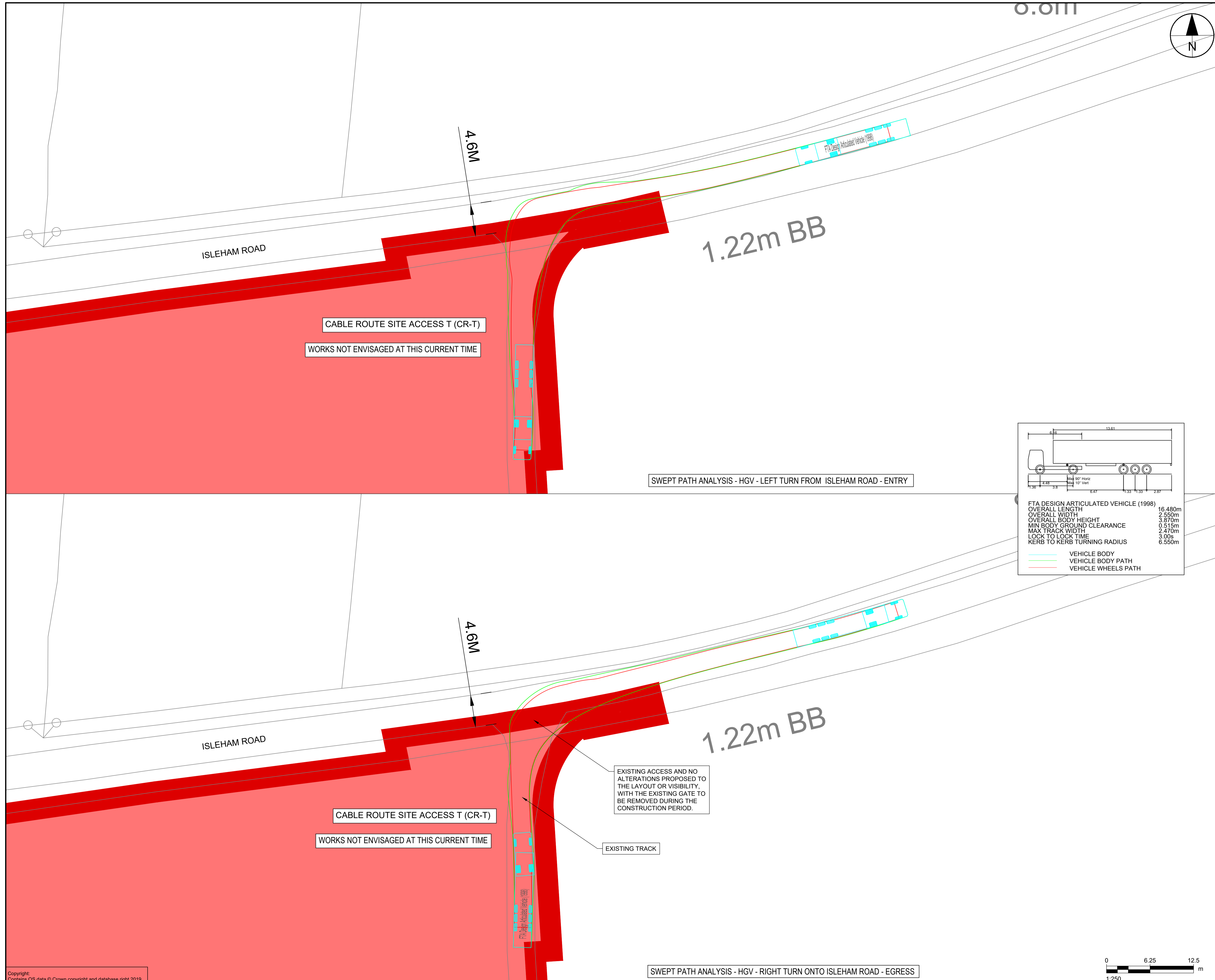
SHEET TITLE

CABLE ROUTE, SITE ACCESS R & S (CR-R)&(CR-S) B1102 MILDENHALL ROAD TEMPORARY TRAFFIC SIGNALS AND VISIBILITY

SHEET NUMBER
ACM-60589004-AMR-DR-0044



SUMMARY OF USE
THE ACCESS LOCATIONS ACROSS GRID CONNECTION ROUTES A AND B WILL BE RE-INSTATED TO THEIR CONDITION PRIOR TO THE CONSTRUCTION PHASE; HOWEVER, THE RIGHTS TO UTILISE THESE ACCESS POINTS WILL BE RETAINED DURING OPERATION AND SECURED THROUGH THE DCO TO ALLOW ACCESS FOR MAINTENANCE, IF REQUIRED. ACCESS TO THE GRID CONNECTION ROUTES A AND B IS NOT REQUIRED DURING DECOMMISSIONING AS THE CABLE AND INFRASTRUCTURE WILL REMAIN IN-SITU.



AECOM
 AECOM House, 63-77 Victoria Street,
 St. Albans, Hertfordshire, AL1 3ER
 +44(0)1727 535000 tel
 +44(0)1727 535099 fax
 www.aecom.com

NOTE

1. ALL DIMENSIONS ARE IN METRES UNLESS NOTED OTHERWISE
2. ALL JUNCTION LAYOUTS AREA INDICATIVE
3. THIS DRAWING IS BASED ON ORDNANCE SURVEY MASTERMAP MAPPING, AND AS SUCH, ALL INFORMATION SHOWN IS APPROXIMATE ONLY.
4. ALL ROAD WIDTHS SHOWN, AS WELL AS POSITIONS OF EXISTING STREET FURNITURE, ARE APPROXIMATE ONLY.
5. VEHICLE TRACKING SHOWN IS INDICATIVE ONLY, AND REPRESENTS ASSUMED DELIVERY ROUTE(S) AND APPROXIMATE VEHICLE SIZE. SPECIFIC VEHICLE TO BE DETERMINED BY EQUIPMENT SUPPLIER / HAULIER.
6. DEFINITIVE VEHICLE TRACKING OF SPECIFIC DELIVERY VEHICLE TO BE CARRIED OUT BY HAULIER, TO ENSURE DESIRED MANOEUVRES ARE ACHIEVABLE, AND TO CONFIRM ANY REQUIRED ROAD WIDENING, TEMPORARY WORKS, etc.
7. ORDER LIMITS ARE TO THE OUTER EDGE OF THE RED LINE, WHICH IS AS PER PUBLISHED IN THE DCO DOCUMENTATION.

KEY

ORDER LIMITS

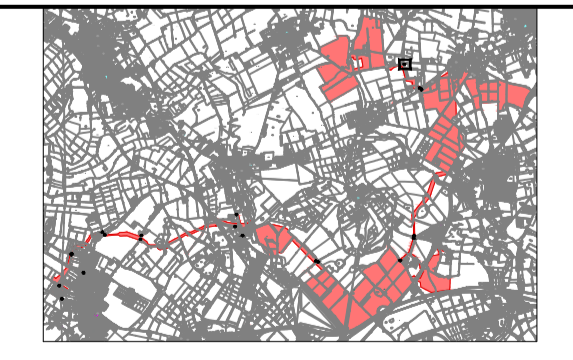
SUMMARY OF USE

THE ACCESS LOCATIONS ACROSS GRID CONNECTION ROUTES A AND B WILL BE RE-INSTATED TO THEIR CONDITION PRIOR TO THE CONSTRUCTION PHASE; HOWEVER, THE RIGHTS TO UTILISE THESE ACCESS POINTS WILL BE RETAINED DURING OPERATION AND SECURED THROUGH THE DCO TO ALLOW ACCESS FOR MAINTENANCE, IF REQUIRED. ACCESS TO THE GRID CONNECTION ROUTES A AND B IS NOT REQUIRED DURING DECOMMISSIONING AS THE CABLE AND INFRASTRUCTURE WILL REMAIN IN-SITU.

ISSUE/REVISION

I/R	DATE	DESCRIPTION
C	2022-11-28	MINOR UPDATE DEADLINE 3A
B	2022-11-11	SECOND ISSUE
A	2022-09-23	FIRST ISSUE

KEY PLAN



PROJECT NUMBER

60589004

SHEET TITLE

CABLE ROUTE SITE ACCESS T ISLEHAM ROAD

SHEET NUMBER

ACM-60589004-AMR-DR-0045

